

NO: PC-301 **PRODUCT:** XW2B Wiring Terminal Blocks
DATE: April 2015 **TYPE:** Partial Discontinuation Notice

Select XW2B Wiring Terminal Blocks Discontinued Immediately Due to Low Sales

Effective Date: March 2015

Affected Parts



Product discontinuation	Recommended replacement
XW2B-40F5-P	XW2R-J40F-T
XW2B-20X5	No recommended replacement
XW2B-50X5	No recommended replacement

Cautions on Applying Replacements

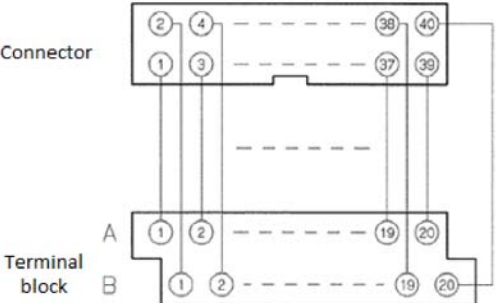
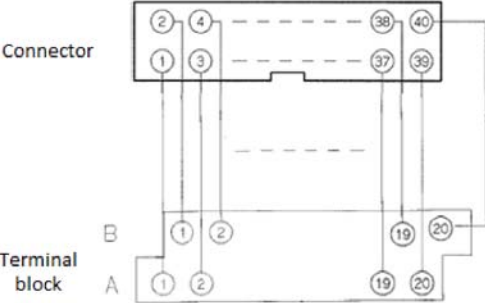
Some of the recommended replacement products are different in appearance, and external and mounting dimensions.

Detail of Differences

Body Color

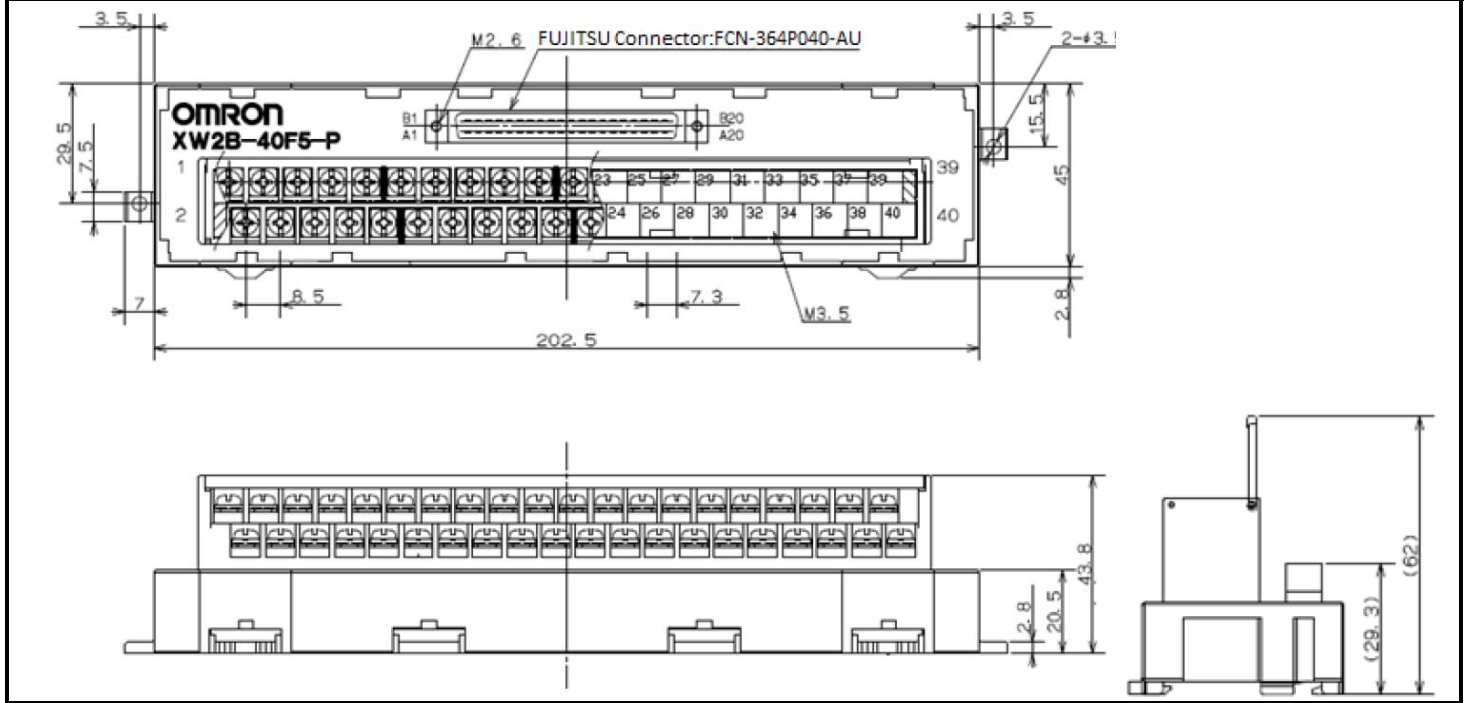
Product discontinuation Model XW2B-40F5-P	Recommended replacement Model XW2R-J40F-T
Main body: Gray 	Main body: Black PWB: Green 

Wiring Diagrams

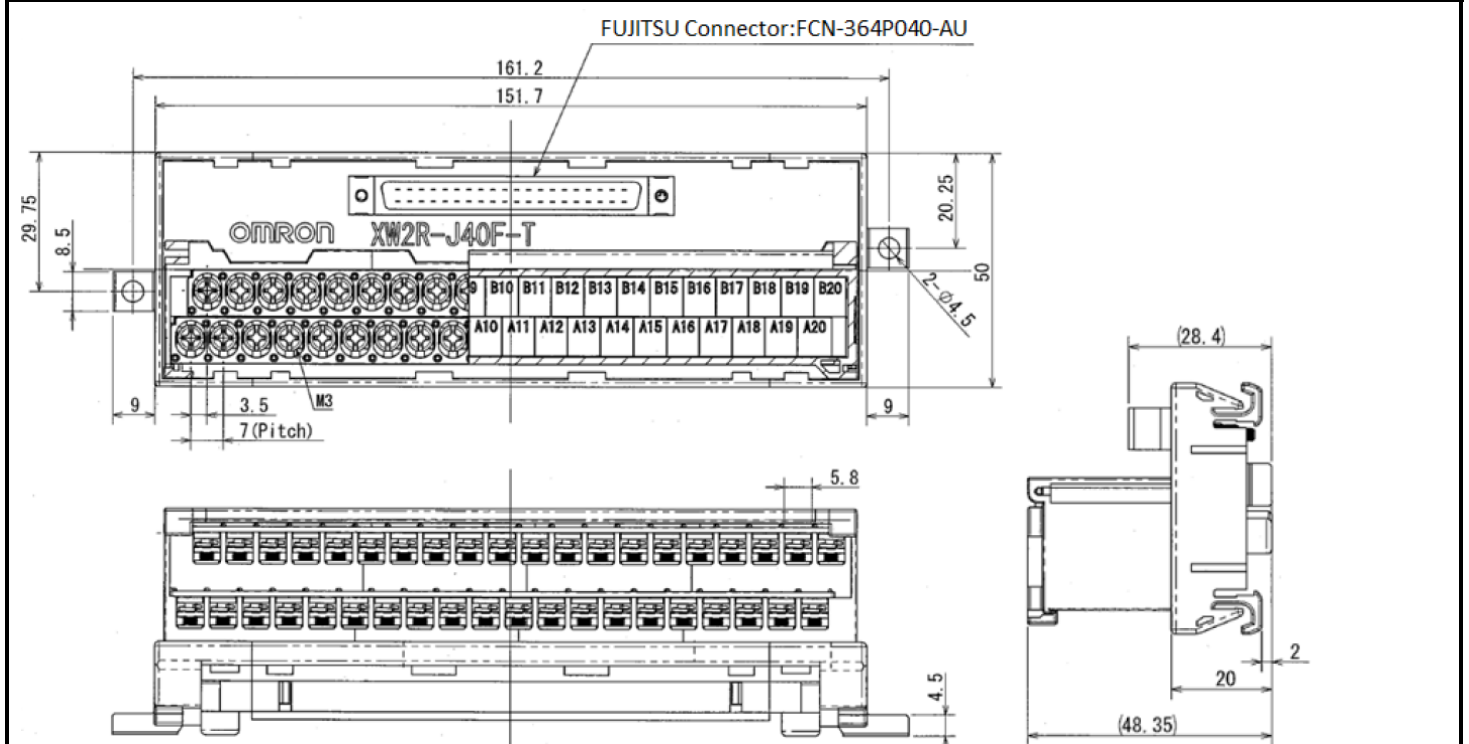
Product discontinuation Model XW2B-40F5-P	Recommended replacement Model XW2R-J40F-T
Upper of the terminal block is connected to the A of the connector and lower is connected to the B. 	Upper of the terminal block is connected to the B of the connector and lower is connected to the A. 

Dimensions

Product discontinuation - Model XW2B-40F5-P



Recommended replacement - Model XW2R-J40F-T



Characteristics

Item	Product discontinuation Model XW2B-40F5-P	Recommended replacement Model XW2R-J40F-T
Rating current	1 A	
Rating voltage	24 VDC	125 VAC, 24 VDC
Insulation resistance	100 MΩ min. (at 500 VDC)	
Dielectric strength	500 VAC for 1 min (Leakage current: 1 mA max.)	
Operating temperature	0 to 55°C	
Size of applicable wires	Wires (direct connection): 22 to 16AWG Round crimp terminals: 22 to 14AWG Forked crimp terminals: 22 to 14AWG	Wires (direct connection): 26 to 16AWG Round crimp terminals: 22 to 16AWG Forked crimp terminals: 22 to 16AWG
Strip length of applicable wires	6 mm	9 mm
Terminal screw tightening torque	0.59 N·m	0.5 N·m

Specifications and prices in this product news are as of the issue date and are subject to change without notice. Only main changes in specifications are described in this document. Please be sure to read the relevant catalogs, datasheets, product specifications, instructions, and manuals for precautions and necessary information when using products.