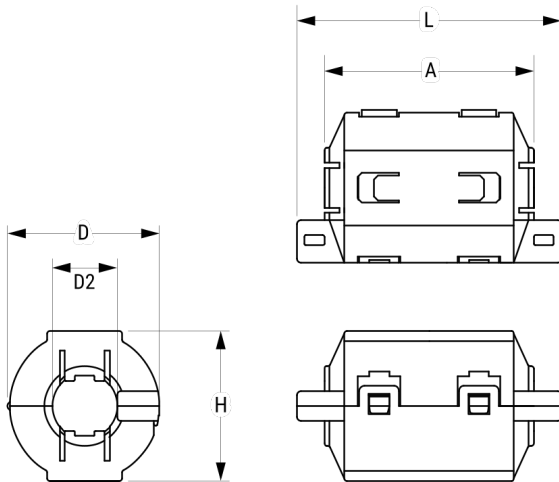


ESD-SR-160HL

Aliases (UECESDSR160HL0)

KEMET, ESD-SR-HL, EMI Cores, Noise Suppression



Click [here](#) for the 3D model.

General Information

Series	ESD-SR-HL
Style	Round - Snap-on
Cable Type	Round Cable
Description	EMI Core Split, For Round Cables, Snap-on Core
Features	High Heat Resistance, Cable Holding Mechanism
RoHS	Yes
Qualifications	UL94V-0
Case Color	Black
Materials	Ni-Zn

Specifications

Temperature Range	-40/+125°C
Effective Frequency	300 MHz (FM Band Range)

Dimensions

D	19.5mm +/-1mm
D2	9mm +/-1mm
L	46.5mm +/-1mm
H	19.5mm +/-1mm
A	38.5mm +/-1mm

Packaging Specifications

Packaging	Tray, Box
Packaging Quantity	210
Component Weight	23 g

Statements of suitability for certain applications are based on our knowledge of typical operating conditions for such applications, but are not intended to constitute - and we specifically disclaim - any warranty concerning suitability for a specific customer application or use. This information is intended for use only by customers who have the requisite experience and capability to determine the correct products for their application. Any technical advice inferred from this information or otherwise provided by us with reference to the use of our products is given gratis, and we assume no obligation or liability for the advice given or results obtained.